

INS-DSC300SI

Indoor High Speed Dome Camera

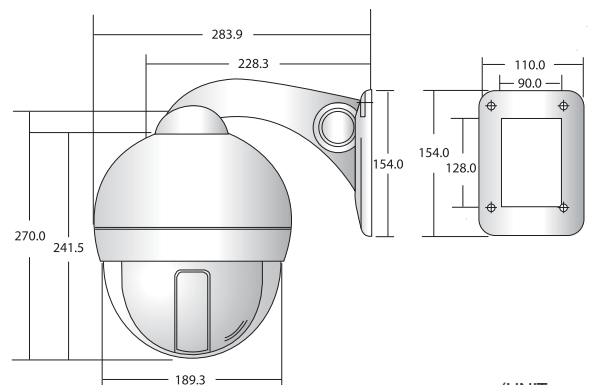
D&N 360° endless pan 23X ZOOM LENS

inSPRIT™
Surveillance Products

INS-DSC300SI is a high speed dome camera with 360° endless panning and 90° tilting angle. It has 23x optical and 10x digital zoom with day & night function (IRC). It features the wide dynamic range (WDR) to maintain the contrast level.

This series is for available for indoor applications with features like presets, swings, groups, touring, trace, spiral, alarm and auto flip. It also has optional in-ceiling housing.

This series offers the latest DSP technology with high sensitivity CCD by Sony Corporation. It also features Digital Image Stabilizer (DIS).



(UNIT : mm)

- Indoor applications
- ABS housing with built-in heater & blower, sunshield and mounting bracket for outdoor
- 1/4 inch color SONY Double Scan CCD
- 23x optical and 10x digital zoom
- 480TV lines [day] 540TV lines [night]
- 0.5lux (day) 0.1 [b/w] 0.009lux (sense-up) IRC
- Digital Image Stabilizer (DIS)
- Wide Dynamic Range (WDR)
- 128 presets, swing, groups, touring, trace, privacy auto flip, spiral, alarm
- 360° endless panning 90° tilting angle



DSC-30EWP



DSC-20WP



DSC-20CP



DSC-20ICB

Technical Specifications

RESOLUTION	480TV lines [day] 540TV lines [night]
EFFECTIVE PIXELS	752 (h) x 582 (v)
IMAGE DEVICE	1/4 inch SONY Double Scan CCD
MINIMUM ILLUMINATION	0.5lux (day) 0.1 [b/w] 0.009lux (sense-up) IR Cut Filter (IRC)
ELECTRONIC SHUTTER	Auto 1/50 - 1/120,000 sec
LENS	23x optical 10x digital zoom f= 3.6 - 82.8mm
SYNCHRONIZATION	Internal
SCANNING SYSTEM	625 lines 2:1 Interlaced
S/N RATIO	More than 50dB [AGC off]
ANGLE	360° endless pan 90° tilt angle
SPEED	240° sec manual 360° sec preset
FUNCTIONS	128 presets, swing, group, touring, privacy, trace, spiral, autoflip 180°, 4in/1out alarm, BLC, AGC, AWB [auto/ manual] by OSD
DIGITAL IMAGE STABILIZER	Manual
WIDE DYNAMIC RANGE	Auto/ Manual
CAMERA ID	1 - 999 ID addresses [DIP switch]
PROTOCOL	PELCO-D or P [2400bps - 115200bps]
OPERATING TEMPERATURE	-40° to 50°C
POWER SUPPLY	24v AC regulated
POWER CONSUMPTION	18w max
CONSTRUCTION	ABS body & clear dome (PC)
DIMENSION	189.3mm (d) x 241.5mm (h)
WEIGHT	Approx 3.1kg